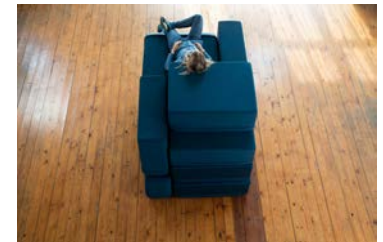


Fields

by **STONE DESIGNS**

The origin of the Fields sofa is the view of fields of crops disappearing over the horizon. From these breaks in the land come the different independent modules which make up the sofa. Thanks to the velcro on the underside, you can create just about any composition. The result is both strong and flexible. Using the different colours you can choose between discreet arrangements or recreate the colours of the fields on which it is based.

*“Fields. Sofa.
Independent. Modules.
To. Arrange.
However. You. Like.
Whenever. You. Like.”*



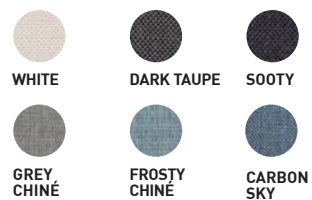


FEBRIK - UNIFORM & UNIFORM MELANGE



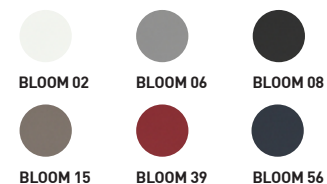
Composition top layer: 75% wool, 25% synthetics
Composition total: 68% wool, 22% polyamide and 10% polyester
Backing: 2,0 mm - 35kg/m3 PU foam with a backing knit
Weight: 490 gr/m²
Width: 165 cm
Abrasion: EN ISO 12947-2 martindale: > 80.000
Pilling: EN ISO 12945-2 5.000 rubs 4
Colour fastness to light: EN ISO 105-B02 6
Colour fastness to rubbing: dry 4 - 5 / wet 4 - 5

SUNBRELLA - NATTÉ



Composition total: 100% Acrylic
Weight: 550 gr/m²
Width: 140 cm
Abrasion: EN ISO 12947-2 martindale: > 50.000
Pilling: EN ISO 12945-2 5.000 rubs 4
Colour fastness to light: EN ISO 105-B02 6
Colour fastness to rubbing: dry 4 - 5 / wet 4 - 5

FLUKSO: VINYL BASE

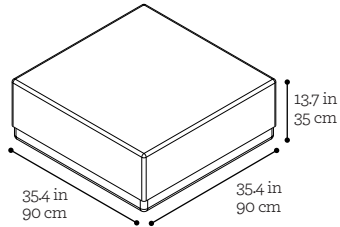


Composition total: 85% PVC, 15% PL
Weight: 550 gr/m²
Width: 140 cm
Abrasion: EN ISO 12947-2 martindale: > 50.000
Pilling: EN ISO 12945-2 5.000 rubs 4
Colour fastness to light: EN ISO 105-B02 6
Colour fastness to rubbing: dry 4 - 5 / wet 4 - 5

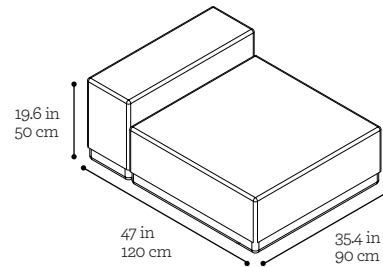
Customer
fabric
possibilities

STUFFING: Polyurethane foam including an inside cover.

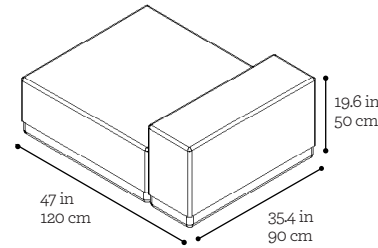
90X90 MODULE DIMENSIONS:



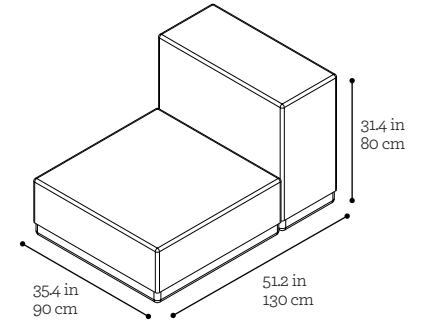
CHAISE LONGUE 90X90 MODULE
90-A



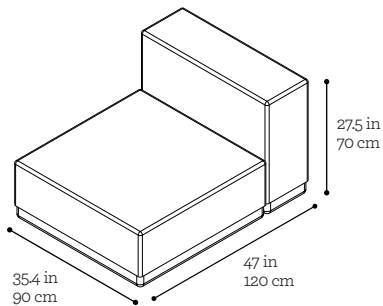
90X90 ARMREST RIGHT MODULE
90-B



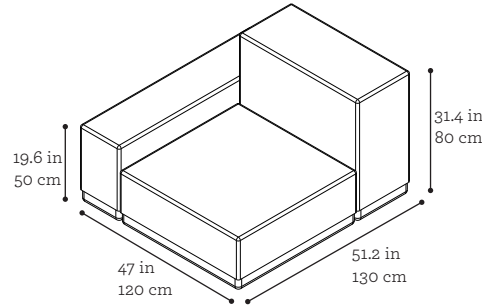
90X90 ARMREST LEFT MODULE
90-C



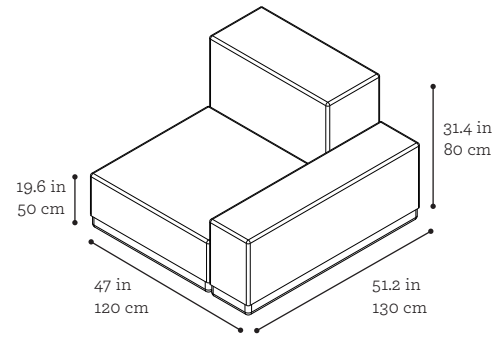
90X90 TALL BACKREST MODULE
90-D



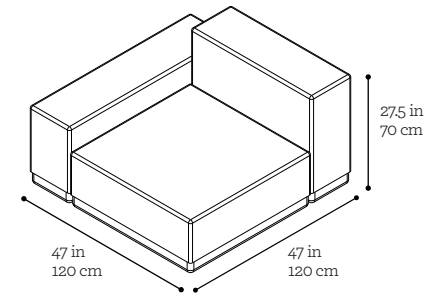
90X90 LOW BACKREST MODULE
90-E



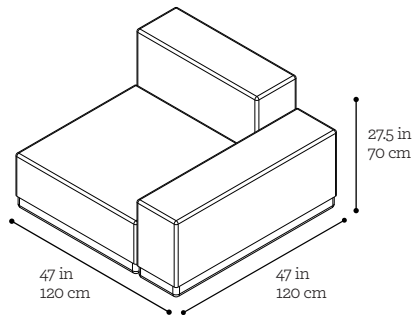
90X90 TALL BACKREST AND
ARMREST RIGHT MODULE
90-F



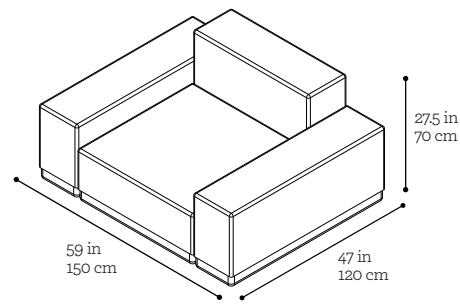
90X90 TALL BACKREST AND
ARMREST LEFT MODULE
90-G



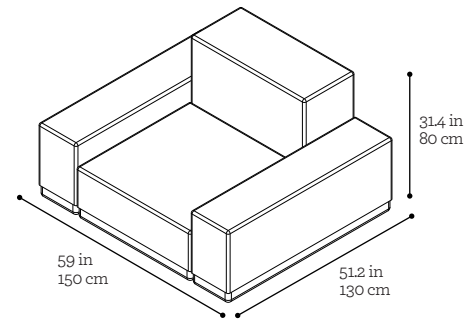
90X90 LOW BACKREST AND
ARMREST RIGHT MODULE
90-H



90X90 LOW BACKREST AND
ARMREST LEFT MODULE
90-I

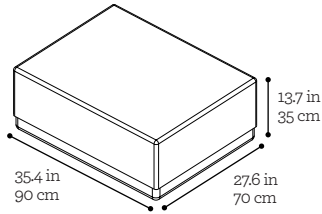


90X90 ARMCHAIR LOW BACKREST MODULE
90-J

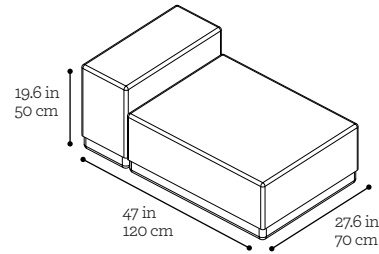


90X90 ARMCHAIR TALL BACKREST MODULE
90-K

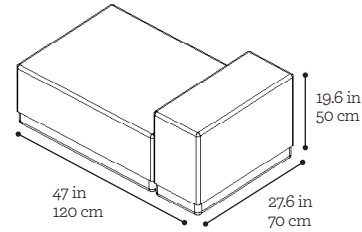
70X90 MODULE DIMENSIONS:



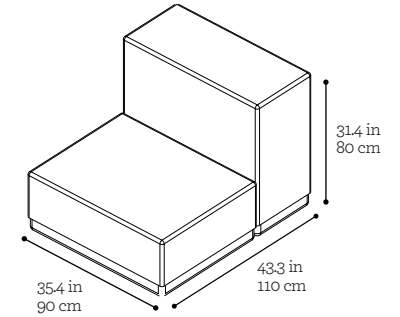
CHAISE LONGUE 70X90 MODULE
70-A



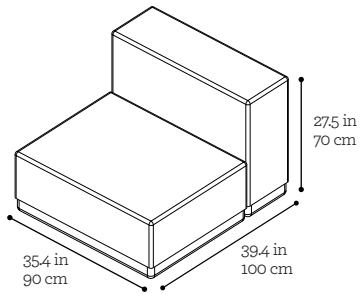
70X90 ARMREST RIGHT MODULE
70-B



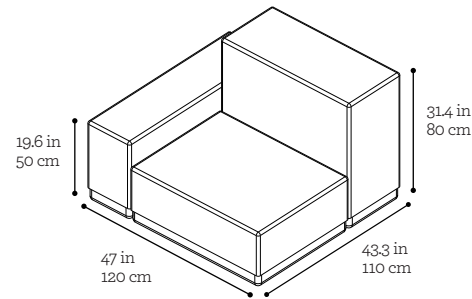
70X90 ARMREST LEFT MODULE
70-C



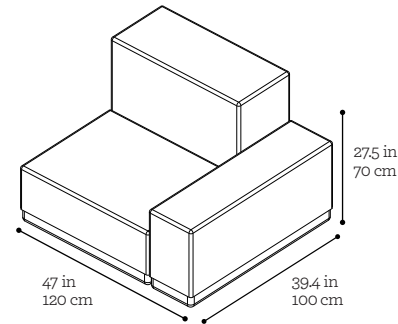
70X90 TALL BACKREST MODULE
70-D



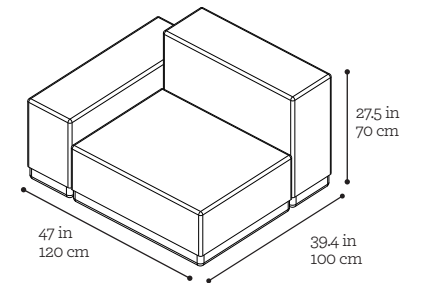
70X90 LOW BACKREST MODULE
70-E



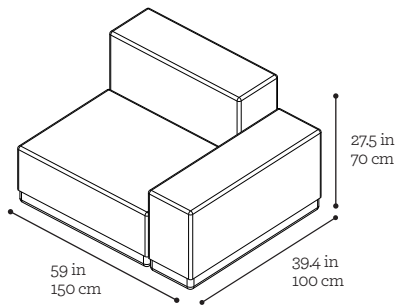
70X90 TALL BACKREST AND
ARMREST RIGHT MODULE
70-F



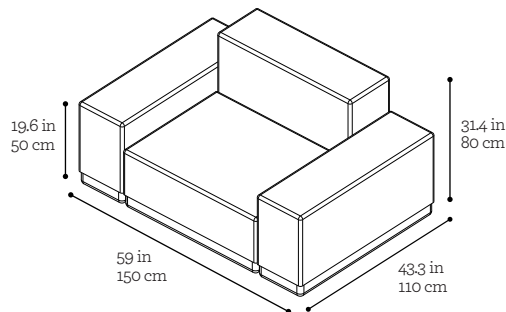
70X90 TALL BACKREST AND
ARMREST LEFT MODULE
70-G



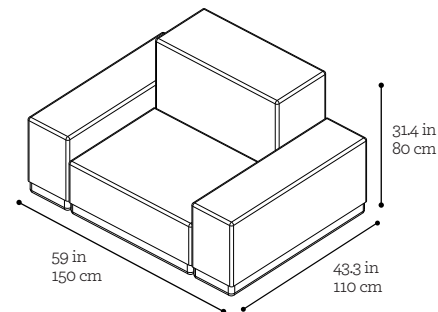
70X90 LOW BACKREST AND
ARMREST RIGHT MODULE
70-H



70X90 LOW BACKREST AND
ARMREST FELT MODULE
70-I



70X90 ARMCHAIR LOW BACKREST MODULE
70-J



70X90 ARMCHAIR TALL BACKREST MODULE
70-K

Fields SETS

Here are a few suggested sets to help to create a customized set.

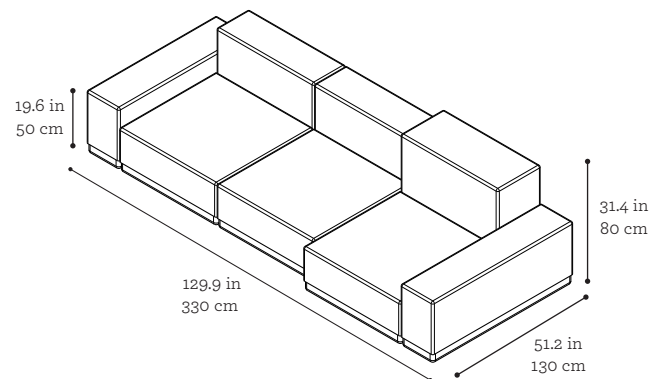
Choose the seat width that best suits your comfort:

34.5 in/90 cm x 34.5 in/90cm or 34.5 in/90cm x 27.5 in/70 cm

Fields sofa

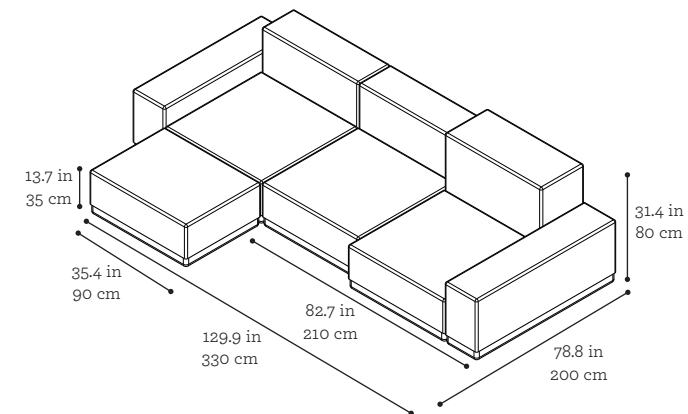
SET 1 (3 people)

- 1 — 90x90 low backrest and armrest right module
- 1 — 90x90 low backrest module
- 1 — 90x90 tall backrest and armrest left module



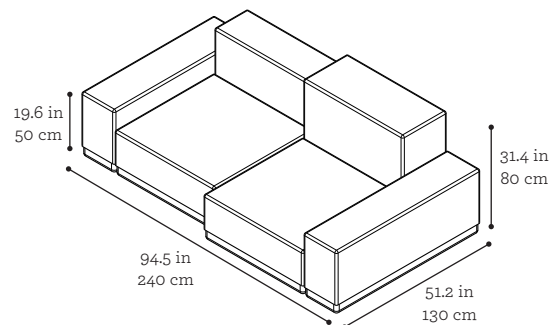
SET 2 (3 people + chaise longue)

- 1 — 90x90 low backrest and armrest right module
- 1 — 90x90 low backrest module
- 1 — 90x90 tall backrest and armrest left module
- 1 — Chaise longue 70x90 module



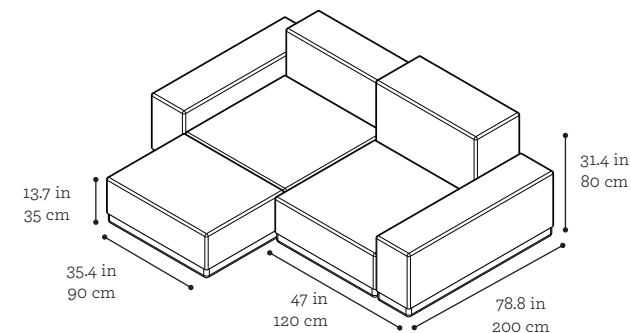
SET 3 (2 people)

- 1 — 90x90 low backrest and armrest right module
- 1 — 90x90 tall backrest and armrest left module



SET 4 (2 people + chaise longue)

- 1 — 90x90 low backrest and armrest right module
- 1 — 90x90 tall backrest and armrest left module
- 1 — Chaise longue 70x90 module



Fields

UPHOLSTERY

Here are the suggested upholstery/vinyl base combinations.

Fields

sofa

