

Diagonal pool table

by Yonoh



Diagonal achieves the perfect blend between play and design.

Diagonal pool table

by Yonoh



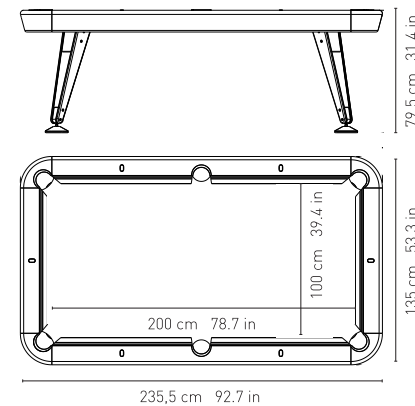
www.rs-barcelona.com

info@rs-barcelona.com



Technical info

7ft American



Also available in 8ft size: 263,7x152x79,5 cm / 103.8x59.7x31.4 in

WEIGHT

518 lb / 235 kg

MATERIALS

Structure: Steel with polyester paint.
Cloth: Gorina 90% worsted wool and 10% nylon.
Slate board: 20 mm thickness 1 piece slate.
Legs: Steel with polyester paint and iroko, walnut or oak wood.
Cushion: K66 premium rubber cushion.

Diagonal comes with:

- 16 BALLS**
Aramith Premium pool set.
- 2 CUES**
Dufferin club cue Canadian Maple.
- 1 TRIANGLE**
- 12 BLACK CHALK MASTER**
- TABLE CLOTH CLEANER**
- TABLE BRUSH**

Finishes

STRUCTURE:	RAL 9005	RAL 9010	RAL 3020	RAL 5013	RAL 6011
CLOTH:	grey blue	grey	maroon	grey blue	classic green

Make it yours

CUSTOMISATION OPTIONS

Customise your pool table with the RAL colour and cloth * that fit to your project.

* Ask for colour options.

Other playful products



RS#2
by Rafael Rodríguez



RS#3 Wood
by Rafael Rodríguez



RS#PingPong Folding
by Rafael Rodríguez



You and Me
by Antoni Pallejà Office